

Ellipse ELG120PWT Granite Polar White Kitchen Sink

Maximum durability meets efficient design in the Ellipse Granite series. Available in several configurations, there's an Ellipse sink that's perfect for your space.

FEATURES

- **Easy to Maintain:** Made from 80% quartz and 20% hard acrylic resin, granite sinks are durable, resistant to scratches, stains and heat. They are easy to clean so that makes less work, giving you time to enjoy the things you love.
- **Sanitized®:** Our integrated antimicrobial Sanitized technology helps to keep your Franke granite sink a clean zone. Reduces odors and ensures safe protection against bacteria and mildew in your sink.
- **Always Colorful:** Thanks to the UV protection, the beautiful color of the granite will not fade and ensure long-lasting use.
- **Undermount Installation:** Provides an edgeless finish that is easy to clean and is perfectly integrated into the kitchen environment.
- **Available in 7 Finishes:** Onyx, Mocha, Storm, Oyster, Champagne, Stone Grey, Polar White

Product Picture



Technical Drawing

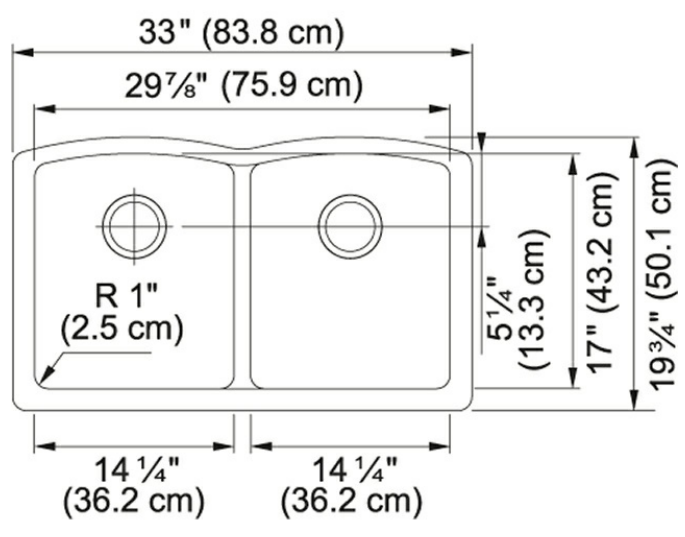
Product Dimensions

Length overall	33"
Width overall	19 3/4"
Length of large bowl	14 1/4"
Width of large bowl	17"
Depth of large bowl	9"
Length of small bowl	14 1/4"
Width of small bowl	17"
Depth of small bowl	9"
Minimum Cabinet Size	36"

General Information

Type of Material	Granite
Number of Bowls	2
Faucet Hole	0
Installation Clips	Yes
Cut-Out Template	Yes





Article Numbers

FUN#	125.0637.084
US Part Number	ELG120PWT

